



TANCO "AER-WAY"

OPERATORS HANDBOOK
AND
PARTS LIST
H2 - 09 - 95

SAFETY DECALS

The following safety decals have been placed on your machine in the areas indicated. They are intended for your personal safety and for the safety of the people working with you. With this manual, walk around your machine and note the content and location of these warning signs. Review these decals and the operating instructions in the manual with your machine operators. Ensure that these decals are always legible. If they are not, replace them.

⚠ DANGER

EXCESSIVE BALLASTING MAY CAUSE LOSS OF STEERING CONTROL. DO NOT EXCEED RECOMMENDED SPEED AND BALLAST SLOW DOWN WHEN RAISING IMPLEMENT AND TURNING.

SEE OPERATOR'S MANUAL.

NEVER CARRY RIDERS

TA 107

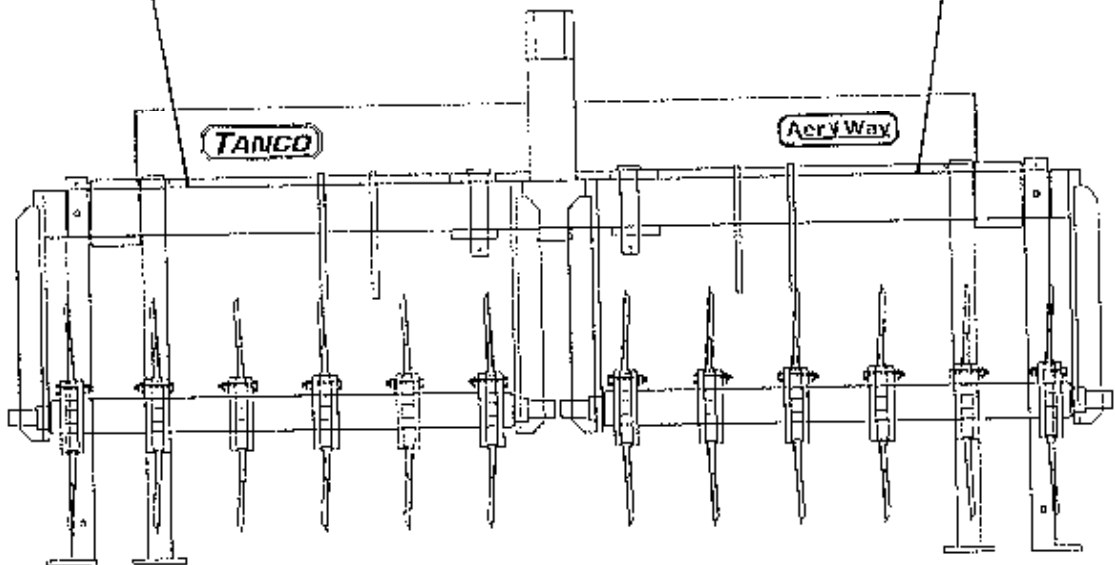
⚠ DANGER

DO NOT ATTEMPT TO WORK UNDER MACHINE WITHOUT SAFETY STANDS IN PLACE.

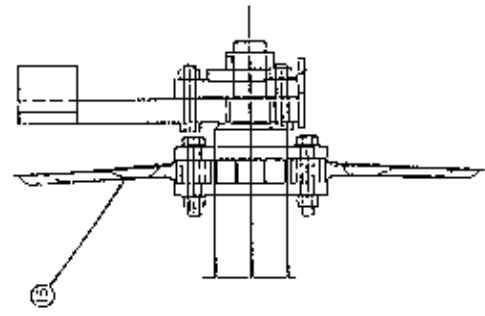
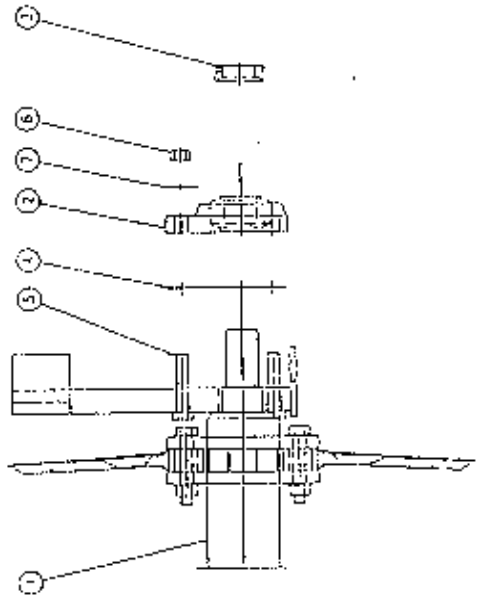
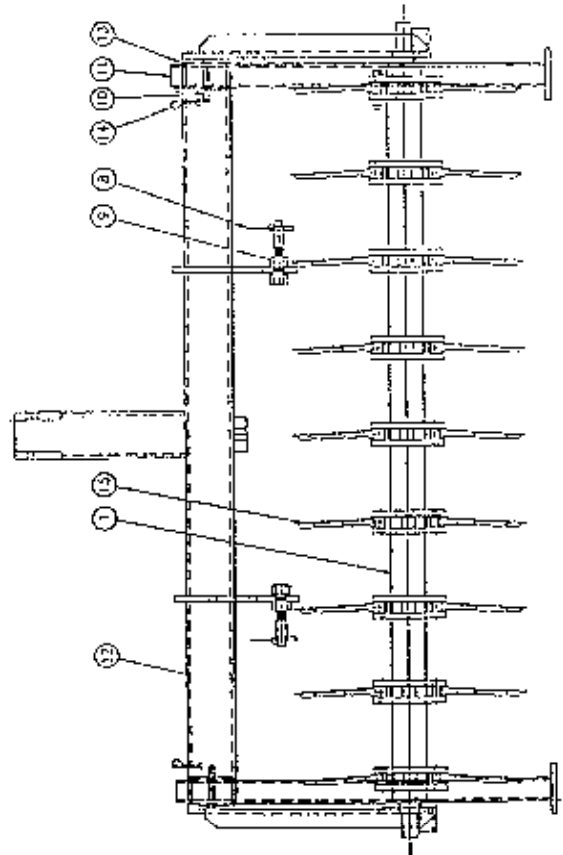
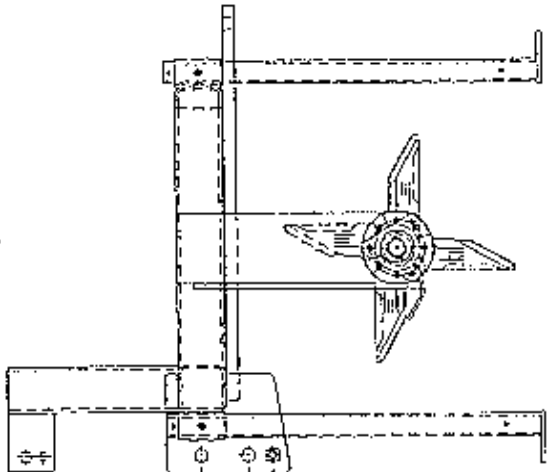
TINES ARE SHARP

TO AVOID POSSIBLE INJURY KEEP HANDS AND FEET AWAY FROM ROLLERS.

TA 108



TANCO "AER-WAY" 6 Ft STANDARD MODEL

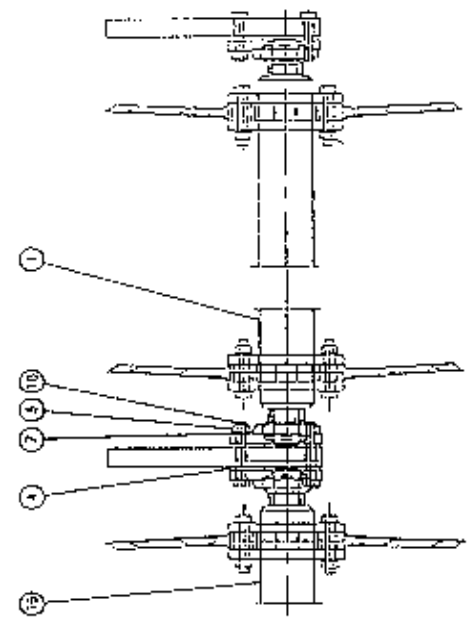
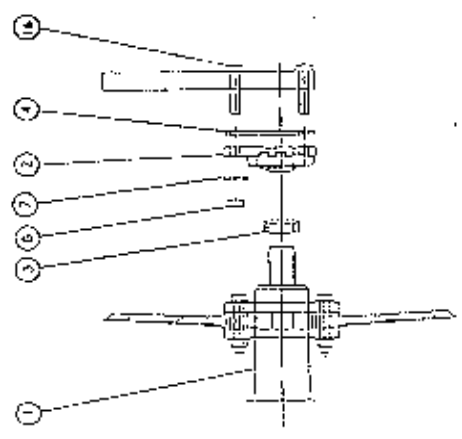
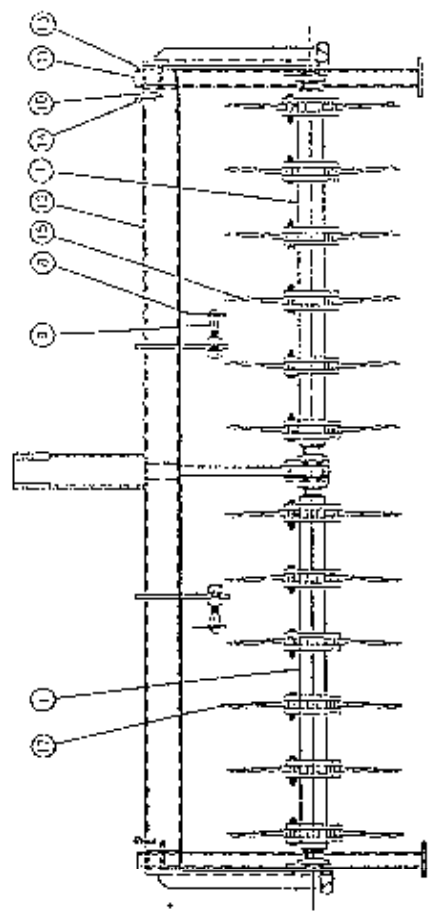
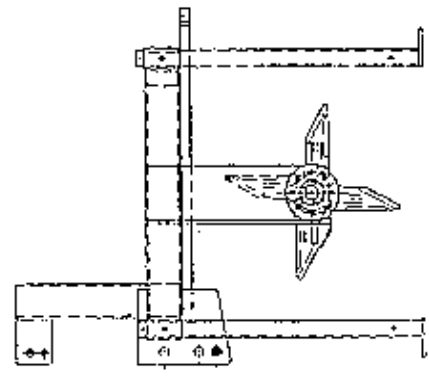


'AERWAY' 6FT STANDARD MODEL

PARTS LIST

ITEM NO.	DESCRIPTION	QTY.	PART NO.
1.	63.5" THREADED SHAFT C/W RINGS	1	H2953106D
2.	BEARING -AG- HD HOUSING & SHELL	2	H2953988
3.	LOCKING COLLAR	2	XB53932
4.	BEARING DIRT GUARD (SHIM)	2	H2953767
5.	M12 HEX HD BOLT x 65 mm LONG	5	Z26-0882B
6.	M12 HEX NUT	6	Z18-12
7.	12 mm DIA SPRING WASHER	5	Z12-02-12
8.	7/16" DIA LINCH PIN	2	Z03-22-06
9.	CAT II LINK PIN 1 1/8" X 7" LONG	2	H2953308
10.	BISSEL PIN	4	WD60-861
11.	JACKLEG ASSY.	4	WH208S-LA
12.	MAIN FRAME ASSY.	1	WH208S-MF
13.	1/4" DIA ROLL PIN X 2 3/4" LONG	4	H2921-S-250-2750
14.	4mm "R" CLIPS	4	Z36-02
15.	L-H 8" TINE KIT	36	H2953655-L
	L-H 7" TINE KIT	36	H2956451-LK

TANCO "AER-WAY" 8 Ft STANDARD MODEL.

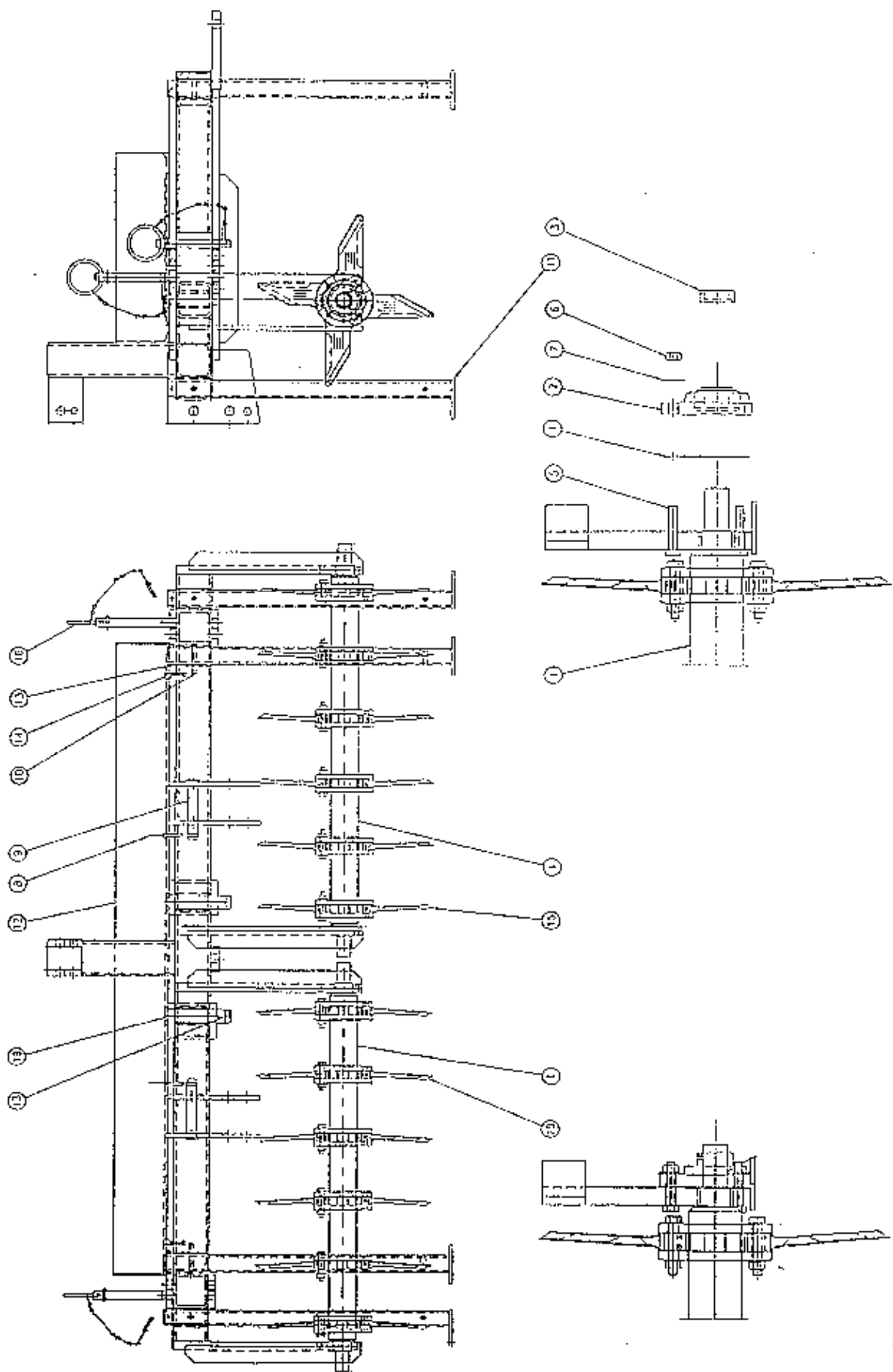


'AERWAY' 8FT STANDARD MODEL

PARTS LIST

ITEM NO.	DESCRIPTION	QTY.	PART NO.
1.	40.25" THREADED SHAFT C/W RINGS	2	H2953104D
2.	BEARING -AG- HD HOUSING & SHELL	4	H2953988
3.	LOCKING COLLAR	4	XB53932
4.	BEARING DIRT GUARD (SHIM)	2	H2953767
5.	STD. AERWAY ROTOR SPACER	4	WH208S-50
6.	M12 HEX NUT	9	Z18-12
7.	12 mm DIA SPRING WASHER	9	Z12-02-12
8.	7/16" DIA LINCH PIN	2	Z03-22-06
9.	CAT II LINK PIN 1 1/8" X 7" LONG	2	H2953308
10.	BISSEL PIN	4	WD60-861
11.	JACKLEG ASSY.	4	WH208S-LA
12.	MAIN FRAME ASSY.	1	WH208S-MF
13.	1/4" DIA ROLL PIN X 2 3/4" LONG	4	H2921-S-250-2750
14.	4mm "R" CLIPS	4	Z36-02
15.	R-H 8" TINE KIT	24	H2953655-R
	R-H 7" TINE KIT	24	H2956451-RK
16.	M12 HEX HD BOLT X 65mm LONG	6	Z26-0882B
17.	L-H 8" TINE KIT	24	H2953655-L
	L-H 7" TINE KIT	24	H2956451-LK
18.	M12 HEX HD BOLT X 100 LONG	3	Z26-092B

TANCO "AER-WAY" 8ft QUICK ADJUST MODEL

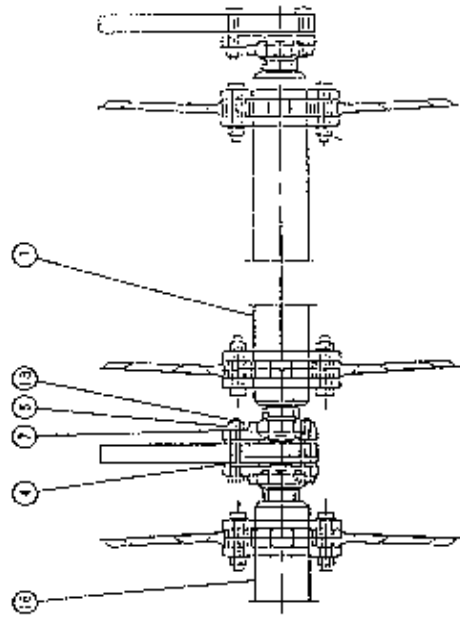
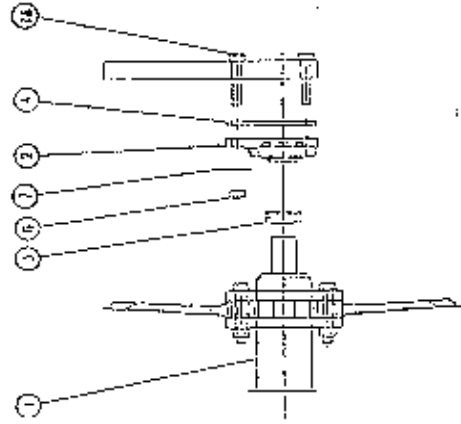
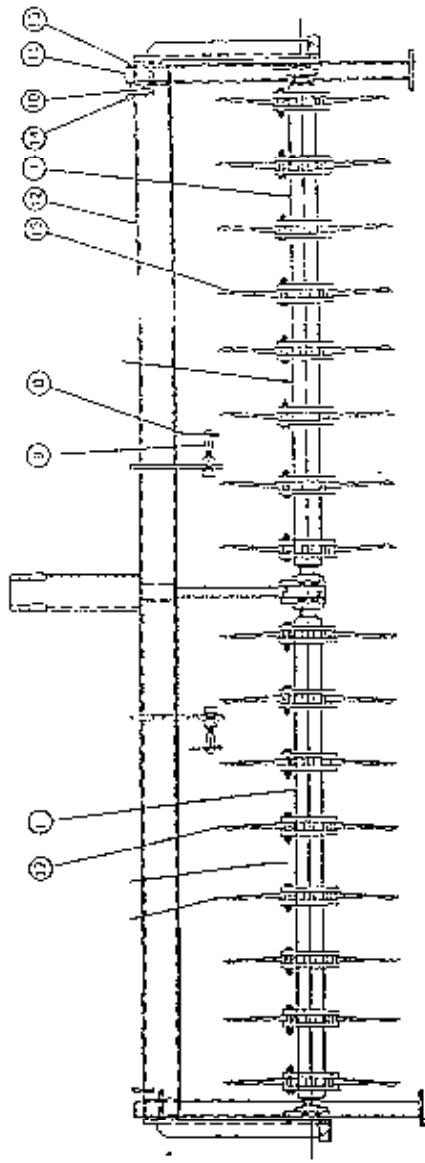
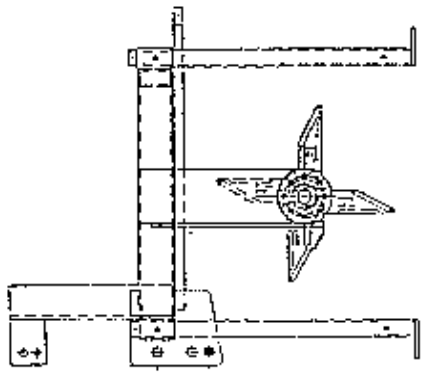


'AERWAY' 8FT QUICK ADJUST MODEL

PARTS LIST

ITEM NO.	DESCRIPTION	QTY.	PART NO.
1.	40.25" THREADED SHAFT C/W RINGS	2	H2953104D
2.	BEARING -AG- HD HOUSING & SHELL	4	H2953988
3.	LOCKING COLLAR	4	XB53932
4.	BEARING DIRT GUARD (SHIM)	4	H2953767
5.	M12 HEX NUT BOLT X 65mm LONG	12	Z26-0882B
6.	M12 HEX NUT	12	Z18-12
7.	12mm DIA SPRING WASHER	12	Z12-02-12
8.	7/16" DIA LINCH PIN	2	Z03-22-06
9.	CAT II LINK PIN 1 1/8" X 7" LONG	2	H2953308
10.	BISSEL PIN	4	WD60-861
11.	JACKLEG ASSY.	4	WH208S-LA
12.	MAIN FRAME ASSY.	1	WH208Q-MF
13.	1/4" DIA ROLL PIN X 2 3/4" LONG	4	H2921-S-250-275C
14.	4mm "R" CLIPS	4	Z36-02
15.	R-H 8" TINE KIT	24	H2953655-R
	R-H 7" TINE KIT	24	H2956451-RK
16.	ADJUSTING PIN C/W CHAIN PIN	4	H2953985
17.			
18.	L-H 8" TINE KIT	24	H2953655-L
	L-H 7" TINE KIT	24	H2956451-LK
19.	PIVOT PIN	2	XA-53271

TANCO "AER-WAY" 10 Ft STANDARD MODEL.

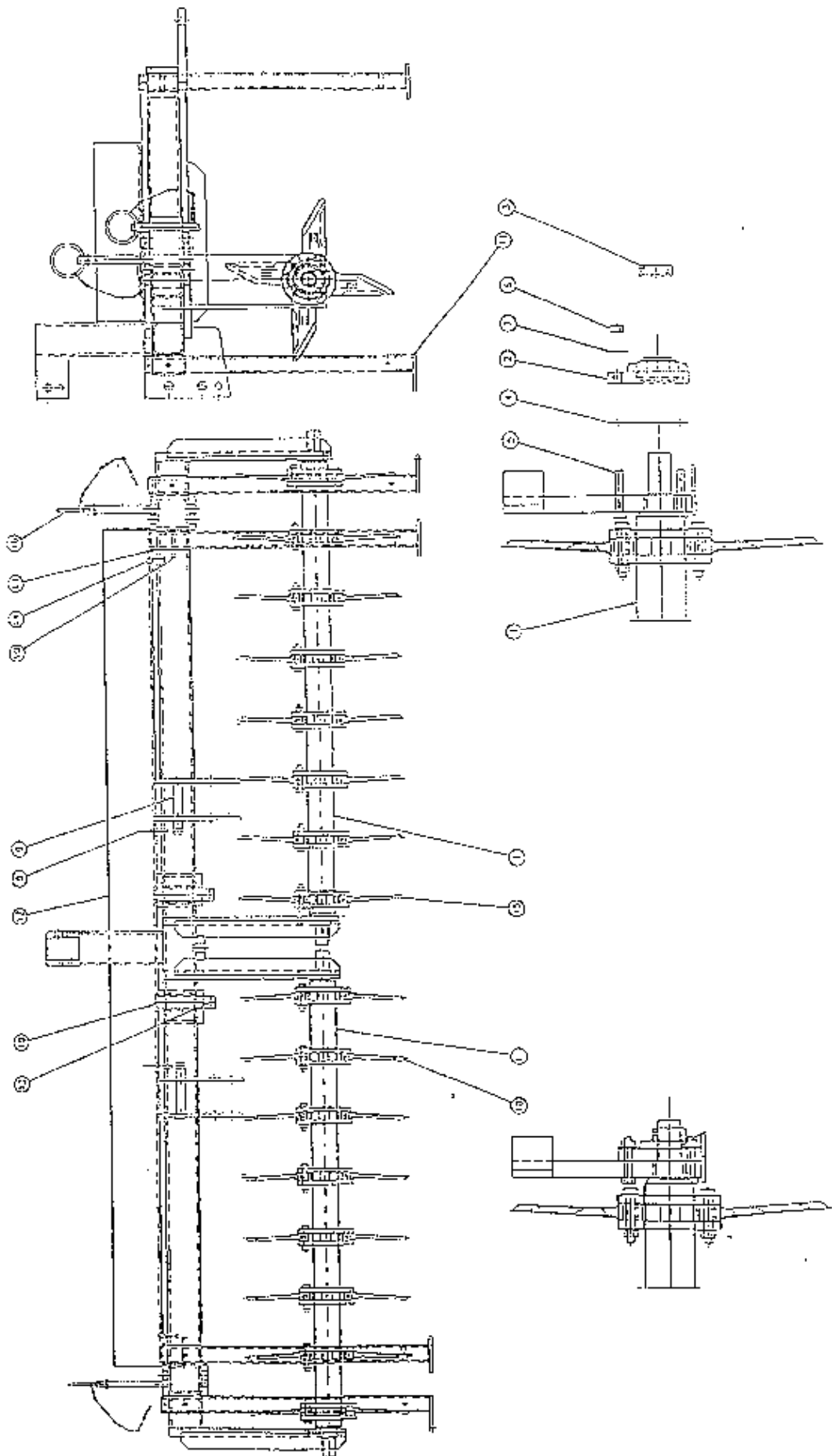


'AERWAY' 10FT STANDARD MODEL

PARTS LIST

ITEM NO.	DESCRIPTION	QTY.	PART NO.
1.	54" THREADED SHAFT C/W RINGS	2	H2953108D
2.	BEARING -AG- HD HOUSING & SHELL	4	H2953988
3.	LOCKING COLLAR	4	XB53932
4.	BEARING DIRT GUARD (SHIM)	2	H2953767
5.	STD. AERWAY ROTOR SPACER	4	WH208S-50
6.	M12 HEX NUT	9	Z18-12
7.	12mm DIA SPRING WASHER	9	Z12-02-12
8.	7/16" DIA LINCH PIN	2	Z03-22-06
9.	CAT II LINK PIN 1 1/8" X 7" LONG	2	H2953308
10.	BISSEL PIN	4	WD60-861
11.	JACKLEG ASSY.	4	WH208S-LA
12.	MAIN FRAME ASSY.	1	WH210S-MF
13.	1/4" DIA ROLL PIN X 2 3/4" LONG	4	H2921-S-250-2750
14.	4mm "R" CLIPS	4	Z36-02
15.	R-H 8" TINE KIT	32	H2953655-R
	R-H 7" TINE KIT	32	H2956451-RK
16.	M12 HEX HD BOLT X 65mm LONG	6	Z26-0882B
17.	L-H 8" TINE KIT	32	H2953655-L
	L-H 7" TINE KIT	32	H2956451-LK
18.	M12 HEX HD BOLT X 100 LONG	3	Z26-092B

TANCO "AER-WAY" 10 Ft QUICK ADJUST MODEL.

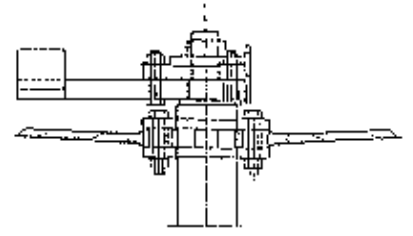
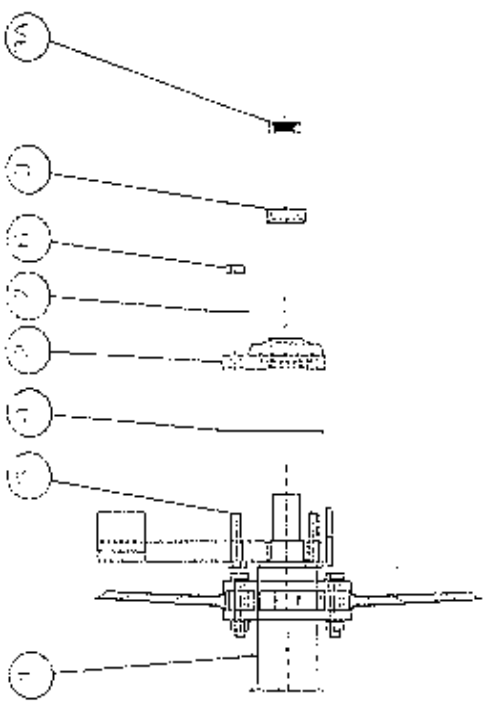
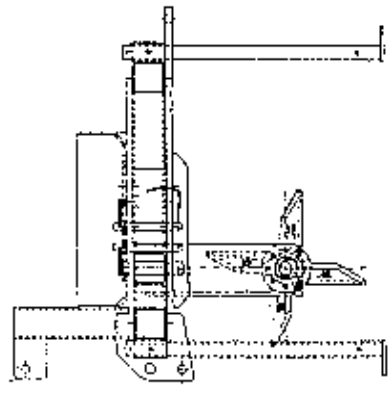
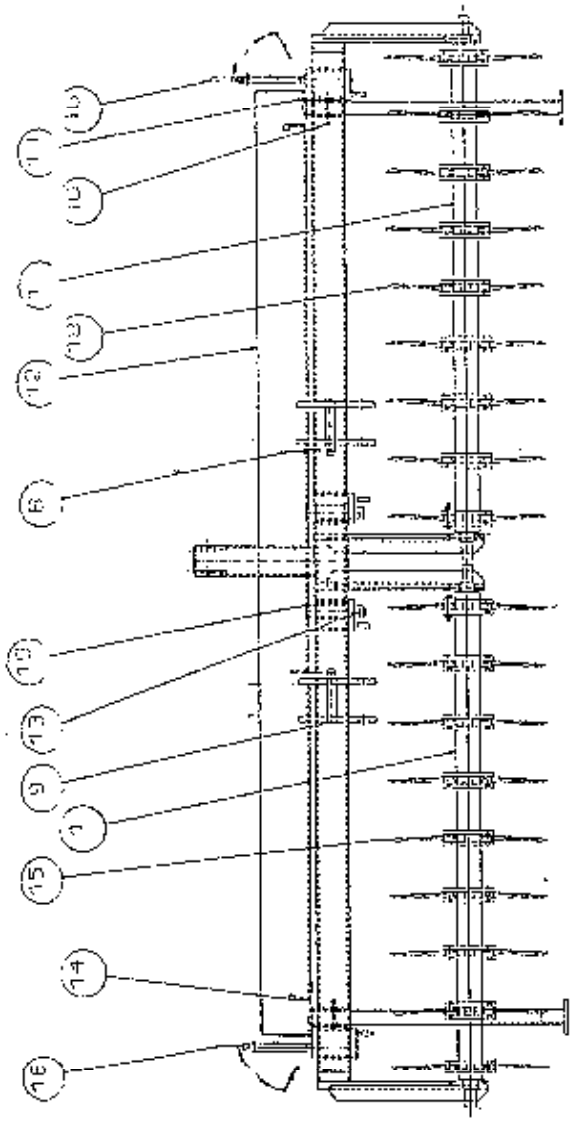


'AERWAY' 10FT QUICK ADJUST MODEL

PARTS LIST

ITEM NO.	DESCRIPTION	QTY.	PART NO.
1.	54" THREADED SHAFT C/W RINGS	2	H2953108D
2.	BEARING -AG- HD HOUSING & SHELL	4	H2953988
3.	LOCKING COLLAR	4	XB53932
4.	BEARING DIRT GUARD (SHIM)	4	H2953767
5.	M12 HEX NUT BOLT X 65mm LONG	12	Z26-0882B
6.	M12 HEX NUT	12	Z18-12
7.	12mm DIA SPRING WASHER	12	Z12-02-12
8.	7/16" DIA LINCH PIN	2	Z03-22-06
9.	CAT II LINK PIN 1 1/8" X 7" LONG	2	H2953308
10.	BISSEL PIN	4	WD60-861
11.	JACKLEG ASSY.	4	WH208S-LA
12.	MAIN FRAME ASSY.	1	WF210Q-MF
13.	1/4" DIA ROLL PIN X 2 3/4" LONG	4	H2921-S-250-2750
14.	4mm "R" CLIPS	4	Z36-02
15.	R-H 8" TINE KIT	32	H2953655-R
	R-H 7" TINE KIT	32	H2956451-RK
16.	ADJUSTING PIN C/W CHAIN PIN	4	H2953985
17.			
18.	L-H 8" TINE KIT	32	H2953655-L
	L-H 7" TINE KIT	32	H2956451-LK
19.	PIVOT PIN	2	XA-53271

TANCO "AER-WAY" 12 FT QUICK ADJUST MODEL



'AERWAY' 12FT QUICK ADJUST MODEL

PARTS LIST

ITEM NO.	DESCRIPTION	QTY.	PART NO.
1.	63.5" THREADED SHAFT C/W RINGS	2	H2953106D
2.	BEARING -AG- HD HOUSING & SHELL	4	H2953988
3.	LOCKING COLLAR	4	XB53932
4.	BEARING DIRT GUARD (SHIM)	4	H2953767
5.	M12 HEX NUT BOLT X 65mm LONG	12	Z26-0882B
6.	M12 HEX NUT	12	Z18-12
7.	12mm DIA SPRING WASHER	12	Z12-02-12
8.	7/16" DIA LINCH PIN	2	Z03-22-06
9.	CAT II LINK PIN 1 1/8" X 7" LONG	2	H2953308
10.	BISSEL PIN	4	WD60-861
11.	JACKLEG ASSY.	4	WH208S-LA
12.	MAIN FRAME ASSY.	1	WH212Q-MF
13.	1/4" DIA ROLL PIN X 2 3/4" LONG	4	H2921-S-250-2750
14.	4mm "R" CLIPS	4	Z36-02
15.	R-H 8" TINE KIT	36	H2953655-R
	R-H 7" TINE KIT	36	H2956451-RK
16.	ADJUSTING PIN C/W CHAIN PIN	4	H2953985
17.			
18.	L-H 8" TINE KIT	36	H2953655-L
	L-H 7" TINE KIT	36	H2956451-LK
19.	PIVOT PIN	2	XA-53271